

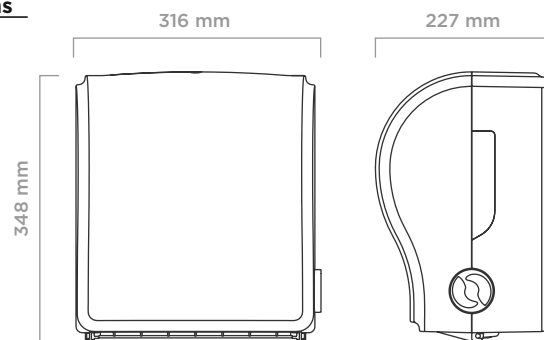
Z Δ H R Δ

optima line

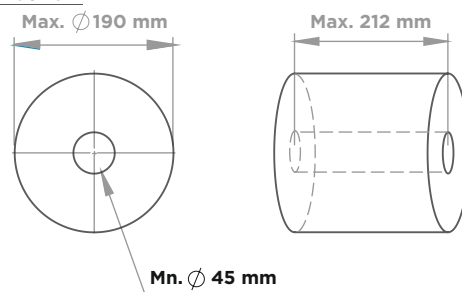
autocut roll towel dispenser



dimensions



roll paper dimensions



Type	Manual
Item No	910602
Colour	White or Black
Plastic Material	ABS
Mounting Type	Wall mount
Packaging Dimensions (mm)	327 (l) x 256 (w) x 397 (h)
Gross Weight (kg)	2,75
Net Weight (kg)	2,5
Paper service length (cm)	24,5
Towel Roll Dimensions (mm)	Max. 212 (w) x Max. \varnothing 190, core diameter mn. 45
Case Quantity (pcs.)	1