

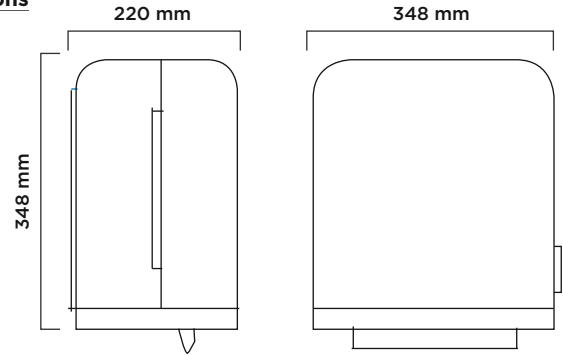
# Z Δ H R Δ

PRESTIGE SERIES

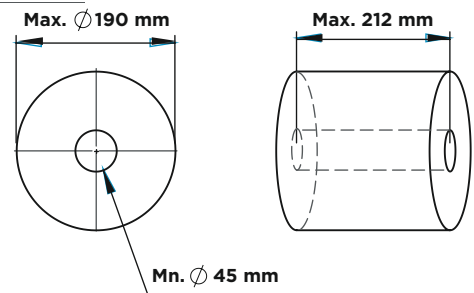
## AUTOCUT TOWEL DISPENSER



### Dimensions



### Roll Paper Dimensions



Type	Manual
Item No	910301
Colour	White
Plastic Material	ABS
Mounting Type	Wall mount
Packaging Dimensions (mm)	395 (l) x 260 (w) x 425 (h)
Gross Weight (kg)	4,62
Net Weight (kg)	3,64
Paper service length (cm)	24,5
Towel Roll Dimensions (mm)	Max. 212 (w) x Max. $\phi$ 190, core diameter mn. 45
Case Quantity (pcs.)	1