

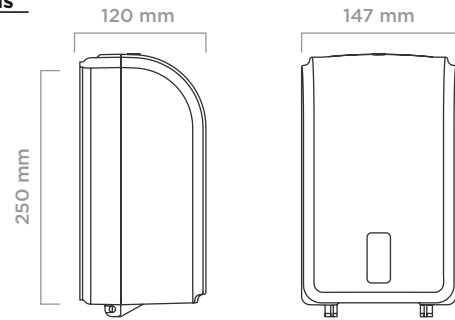
Z Δ H R Δ

optima line

c folded toilet paper dispenser



dimensions



Type	Manual
Item No	910612
Colour	White or Black
Plastic Material	ABS
Mounting Type	Wall mount
Packaging Dimensions (mm)	165 (l) x 130 (w) x 260 (h)
Gross Weight (kg)	0,6
Net Weight (kg)	0,5
Paper Volume	C-fold (2 packs.)
Case Quantity (pcs.)	1