

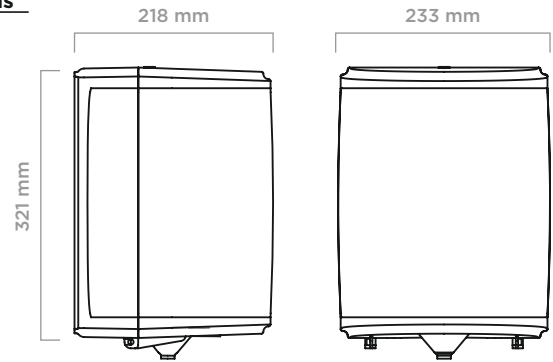
# Z Δ H R Δ

optima line

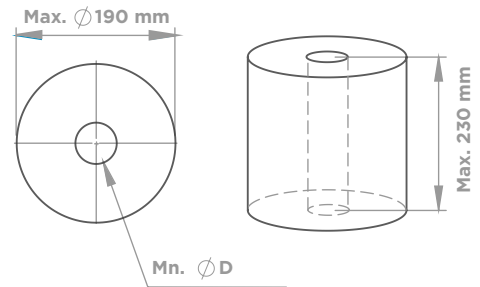
## centerfeed roll towel dispenser



### dimensions



### roll paper dimensions



Type	Centerfeed
Item No	910606
Colour	White or Black
Plastic Material	ABS
Mounting Type	Wall mount
Packaging Dimensions (mm)	230 (l) x 215 (w) x 335 (h)
Gross Weight (kg)	2,75
Net Weight (kg)	2,5
Features	With Funnel
Towel Roll Dimensions (mm)	190 (outer diameter)
Case Quantity (pcs.)	1