

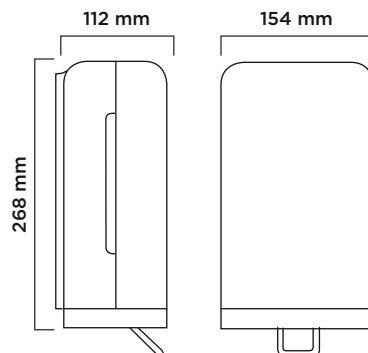
Z Δ H R Δ

PRESTIGE SERIES

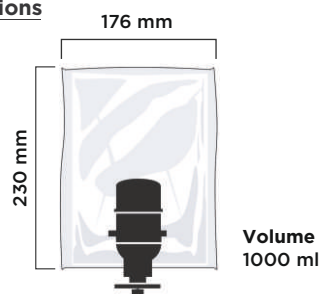
MANUAL SOAP DISPENSER



Dimensions



Cartridge Dimensions



Type	Manual (without pump)
Item No	930301
Colour	White
Plastic Material	ABS
Mounting Type	Wall mount
Packaging Dimensions (mm)	162 (l) x 127 (w) x 305 (h)
Gross Weight (kg)	1,18
Net Weight (kg)	1,04
Dispensing amount (ml)	0,40 (foam pump) 1,25 (liquid pump)
Cartridge Volume (ml)	1000
Case Quantity (pcs.)	1