

# Z Δ H R Δ

## FRAGRANCING SYSTEMS

### MAXX PRO 600 AROMA DIFFUSER

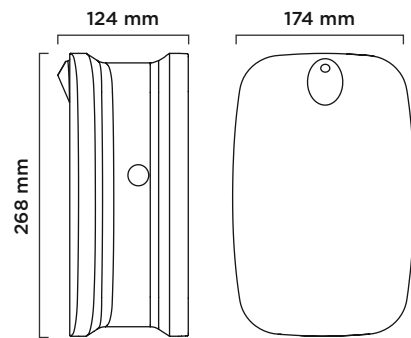


White



Black

#### Dimensions



#### Cartridge



Volume  
180 ml

Type	Pro 600
Item No	920202
Colour	White, White&Black
Plastic Material	PP
Mounting Type	Wall mount or used on a flat surface
Packaging Dimensions (mm)	240 (l) x 140 (w) x 333 (h)
Gross Weight (kg)	1,45
Net Weight (kg)	1,70
Coverage (m)	Up to 600
Aroma Cartridge Volume (ml)	180
Operation	Digital display with twenty-four hour clock, Adjustable starting and stopping times Adjustable duration and stand by intervals, Weekend On/Off function Stand by option at any selected day of the week. Operates with RFID cartridge recognition technology.
Power Supply	5
Power (W)	220 - 240 V / 50 - 60 Hz
Case Quantity (pcs.)	1