

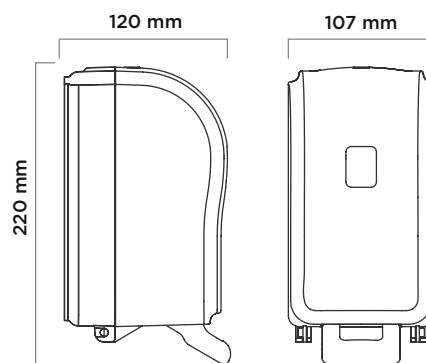
Z Δ H R Δ

optima line

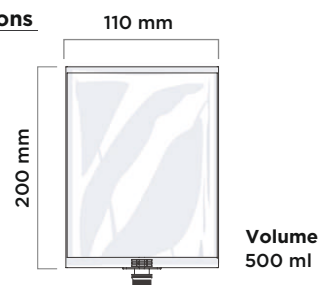
mini manual soap dispenser (cartridge)



dimensions



cartridge dimensions



Type	Manual (cartridge)
Item No	930601 (foam pump) 930602 (liquid pump)
Colour	White or Black
Plastic Material	ABS
Mounting Type	Wall mount
Packaging Dimensions (mm)	125 (l) x 115 (w) x 210 (h)
Gross Weight (kg)	0,45
Net Weight (kg)	0,35
Dispensing amount (ml)	0,40 (foam pump) 1,25 (liquid pump)
Cartridge Volume (ml)	500
Case Quantity (pcs.)	1