

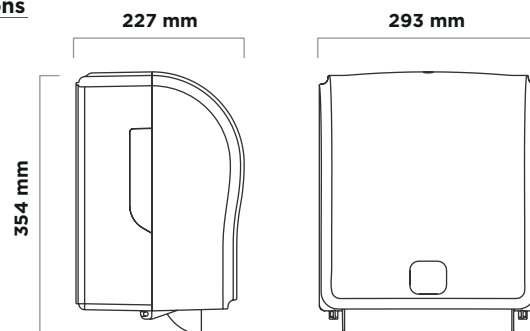
# Z Δ H R Δ

optma line

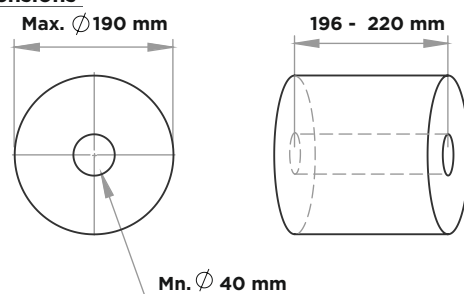
## touchless roll towel dispenser



### dimensions



### roll paper dimensions



Type	Touchless
Item No	910603
Colour	White or Black
Plastic Material	ABS
Mounting Type	Wall mount
Packaging Dimensions (mm)	395 (l) x 260 (w) x 425 (h)
Gross Weight (kg)	2,8
Net Weight (kg)	2,52
Paper service length (cm)	20 - 36 (mn. - max.)
Delay Time (sec)	1 - 4 (mn. - max.)
Power supply	220-240 V / 50-60 Hz or Alkaline LR20 D Size Batteries (4 pcs.)
Battery Life	Up to 36.000 services
Case Quantity (pcs.)	1