

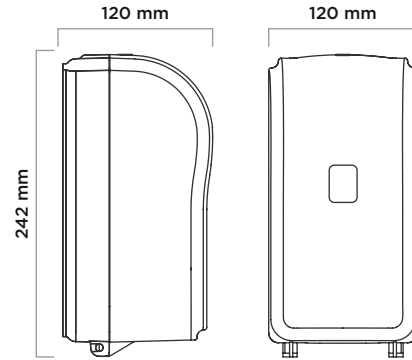
# Z Δ H R Δ

optma line

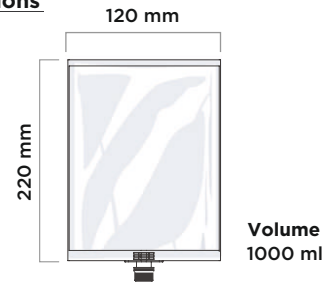
## touchless soap dispenser (cartridge)



### dimensions



### cartridge dimensions



Type	Touchless (cartridge)
Item No	930615 (foam pump)   930616 (liquid pump)
Colour	White or Black
Plastic Material	ABS
Mounting Type	Wall mount
Packaging Dimensions (mm)	135 (l) x 135 (w) x 245 (h)
Gross Weight (kg)	1,2
Net Weight (kg)	1,0
Features	Low battery warning
Dispensing amount (ml)	0,20 (foam pump)   0,85 (liquid pump)
Cartridge Volume (ml)	1000
Power Supply	Alkaline LR6 AA Size Batteries (4 pcs.)
Battery Life	Up to 15.000 services with 1 set of alkaline batteries
Case Quantity (pcs.)	1